

# LENTE MINI SURF



Rectangular shaped surface mounted or suspended luminaire with premium class UGR<19 lens optics. Top quality SMD LED module with colour consistency MacAdams  $\leq 3$ , extensive portfolio of lumen ranges, CCTs and spectra. Variety of drivers: standard EVG on/off or DALI. Mounting on any type of ceiling. Body is made of aluminium profile. Standard colour RAL 9003S, any other colour from basic RAL range available at no extra cost. Variety of optics, lumen outputs and drivers allows to use this luminaire in different types of lighting projects.

Luminous flux & Luminaire Power tolerance up to 10%. System power consumption depends on components used. Luminous efficacy depends on type of LED's, electronics, optics and diffusor. The most up to date technical parameters can be found on our website and in database of LDT files.

Lighting direction:



PDF datasheet:



# LENTE MINI SURF

<b>Mounting:</b>	Surface mounted
<b>Body material:</b>	Steel and aluminium
<b>Colour:</b>	Standard white RAL 9003M, other RAL colours on request
<b>Lumen output:</b>	Standard up to 800 lm, any other on request
<b>LED module:</b>	Signify (Philips), Tridonic or equivalent SMD LED module
<b>Colour temperature:</b>	3000/4000K other on request
<b>Colour Rendering:</b>	CRI>80 in standard, other on request
<b>Driver:</b>	EVG on-off/DALI, other on request
<b>Wireless control:</b>	N/A
<b>Daylight/Occupancy sensor:</b>	N/A
<b>Emergency unit:</b>	N/A
<b>Operating temperature range:</b>	0°C ... +35°C
<b>IP Class:</b>	IP20 in standard
<b>Power:</b>	220-240V 50/60Hz
<b>Lighting direction:</b>	Direct lighting
<b>Light distribution:</b>	Symmetric / Asymmetric
<b>Optics:</b>	UGR<19 diffused lenses
<b>Lens shade:</b>	BM - black matt, WM - white matt
<b>Beam angle:</b>	35°/50°/80°/ASY - all types available in our LDT file database
<b>Warranty:</b>	5 Years standard warranty

**LENTE MINI SURF** surface mounted, light down

All current index numbers, lumen outputs, power consumption and many other technical information are available in our 2024 pricelist. Details on wireless lighting control systems on page number 896.



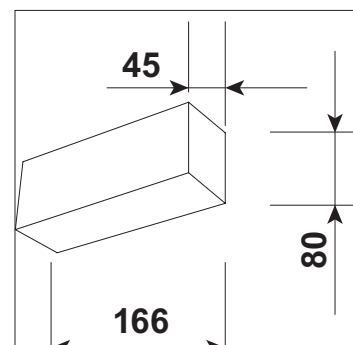
Energy saving MasterConnect wireless lighting control system with daylight and movement detection technology on request.



BM lens shade



WM lens shade



Basic dimensions



## LENTE MINI SURF

Product code	Product name	Gross Lumen [lm]	Nett Lumen [lm]	Power [W]	Efficacy [lm/W]	Colour temperature [K]	Optics	Length [mm]	Width [mm]	Height [mm]	Nett Weight [kg]
20.02410.83.E.80.LNS	LENTE MINI SURF / 900lm / 830 / E / 80 / LNS	900	810	7	116	3000	80°	165	66	80	0,45
20.02410.83.E.50.LNS	LENTE MINI SURF / 900lm / 830 / E / 50 / LNS	900	810	7	116	3000	50°	165	66	80	0,45
20.02410.84.E.80.LNS	LENTE MINI SURF / 900lm / 840 / E / 80 / LNS	900	810	7	116	4000	80°	165	66	80	0,45
20.02410.84.E.50.LNS	LENTE MINI SURF / 900lm / 840 / E / 50 / LNS	900	810	7	116	4000	50°	165	66	80	0,45